

Service
Service
Service



Service Manual

TABLE OF CONTENTS

	Page
PC Boards Location/Specifications	1-2
Measurement Setup	1-3
ESD & Safety Instruction	1-4
Disassembly Instructions & Service Positions	2
Set Block & Wiring Diagram	3
Amplifier / Jack / LED Board	4
Power Board	5
Mechanical Exploded View & Parts List	6

© Copyright 2002 Philips Consumer Electronics B.V. Eindhoven, The Netherlands
All rights reserved. No part of this publication may be reproduced, stored in a retrieval system or transmitted, in any form or by any means, electronic, mechanical, photocopying, or otherwise without the prior permission of Philips.

Published by BB-ET0242 Service Audio Printed in The Netherlands Subject to modification



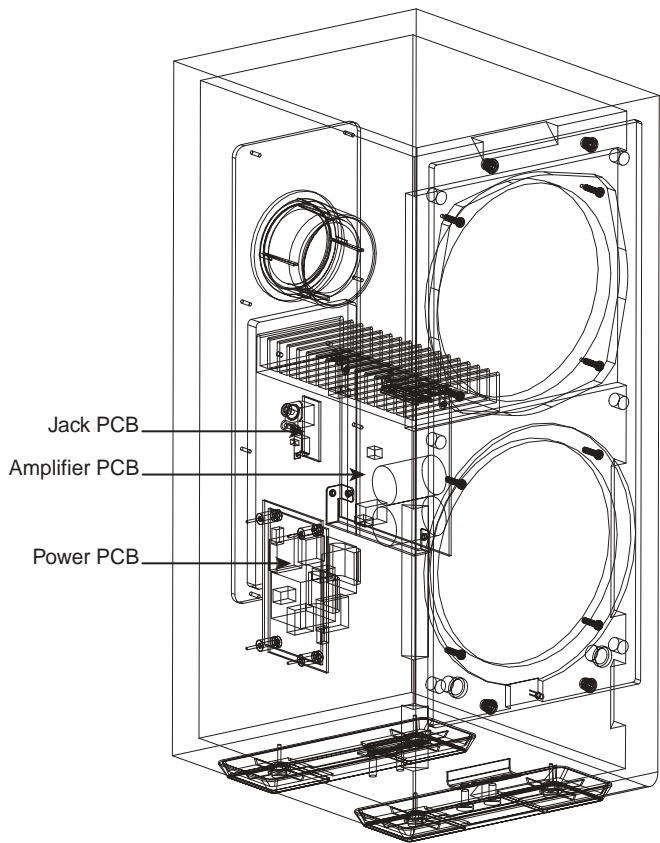
3139 785 30099

Version 1.0

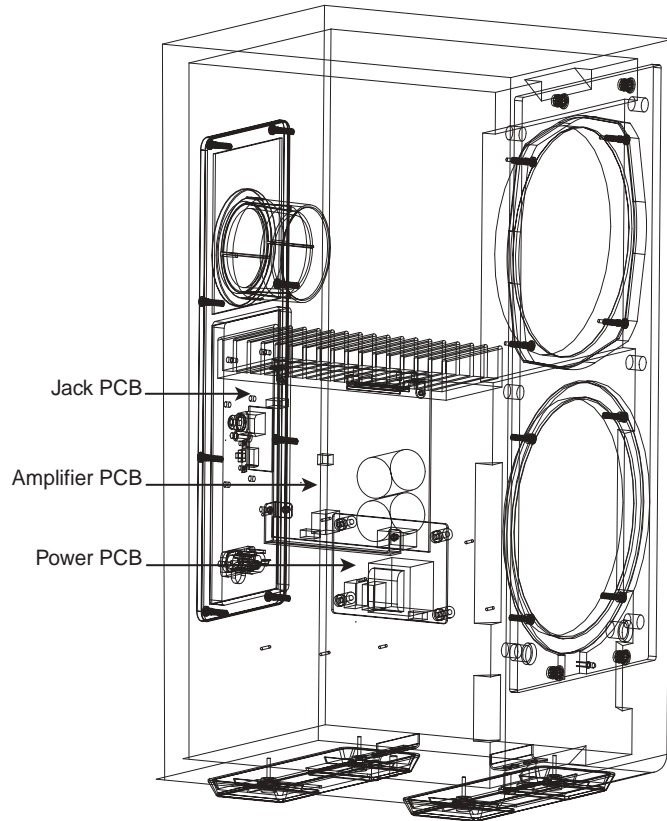


PHILIPS

PC BOARDS LOCATION



For /00S and /17S only

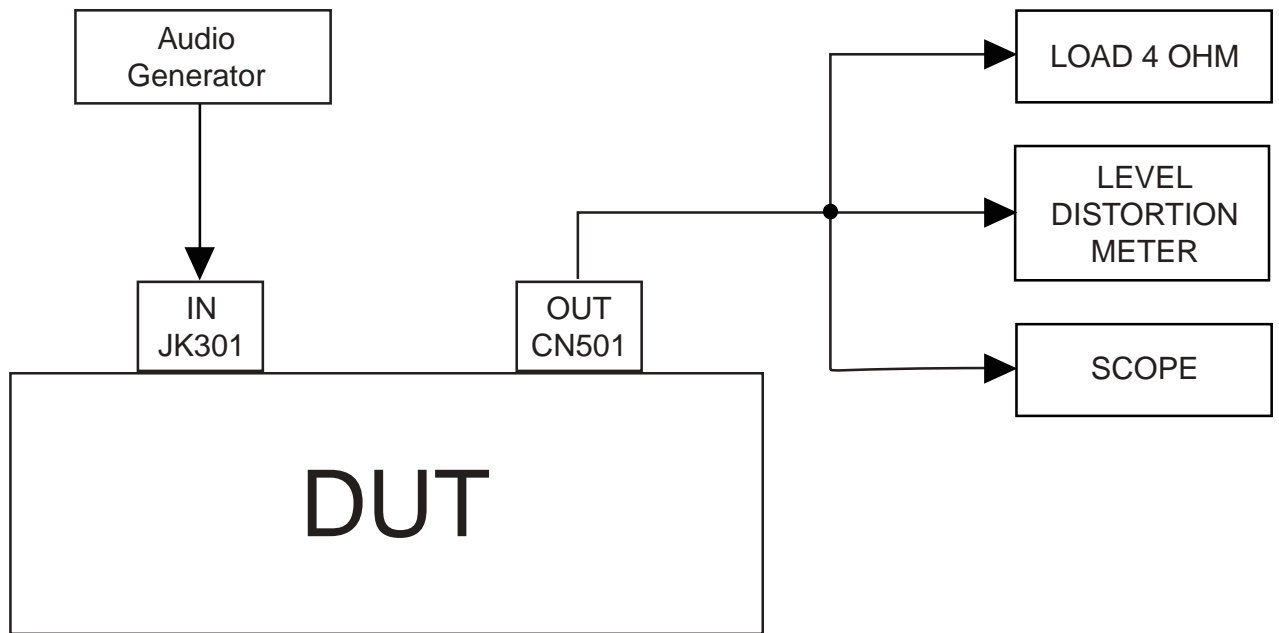
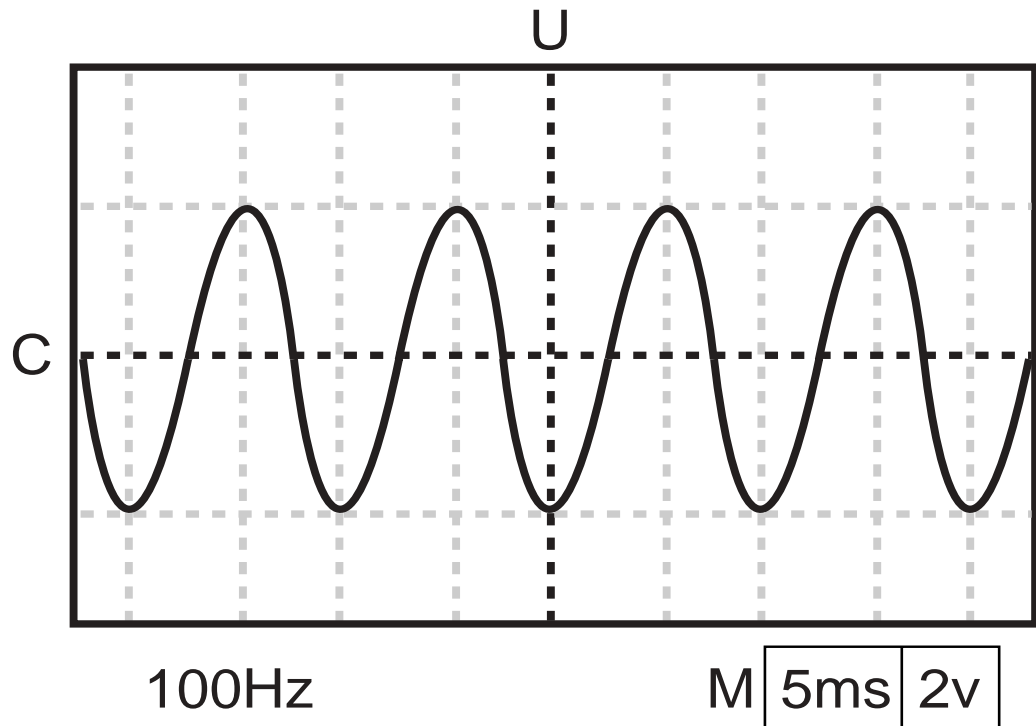


For /01S only

SPECIFICATIONS

SUBWOOFER

Subwoofer (not magnetically shielded design).....	6.5"
Output Power.....	100W (4Ω,DIN)
THD (Total Harmonic Distortion)	10% at 55 Hz
Reproduction Frequency Response.....	30 Hz-130 Hz
Phase Switch.....	0°,180°
Input Sensitivity (Subwoofer In).....	200 mVrms
AC Power (SW8000SA/01S).....	115/230V-60Hz/50Hz
AC Power (SW8000SA/17S).....	120V 60Hz
AC Power (SW8000SA/00S).....	230V 50Hz
Power Consumption.....	66 W (at 1/8 Rated Power)
Dimensions (w x h x d).....	195 mm x 460mm x 262mm
Weight.....	6.8 Kg

MEASUREMENT SETUP**Audio Test Signal**

ESD & SAFETY INSTRUCTION

GB WARNING

All ICs and many other semi-conductors are susceptible to electrostatic discharges (ESD).

Careless handling during repair can reduce life drastically. When repairing, make sure that you are connected with the same potential as the mass of the set via a wrist wrap with resistance.

Keep components and tools also at this potential.

F ATTENTION

Tous les IC et beaucoup d'autres semi-conducteurs sont sensibles aux décharges statiques (ESD). Leur longévité pourrait être considérablement écourtée par le fait qu'aucune précaution n'est prise à leur manipulation.

Lors de réparations, s'assurer de bien être relié au même potentiel que la masse de l'appareil et enfiler le braceleterti d'une résistance de sécurité.

Veiller à ce que les composants ainsi que les outils que l'on utilise soient également à ce potentiel.

ESD



D WARNUNG

Alle ICs und viele andere Halbleiter sind empfindlich gegenüber elektrostatistischen Entladungen (ESD).

Unsorgfältige Behandlung im Reparaturfall kan die Lebensdauer drastisch reduzieren.

Veranlassen Sie, dass Sie im Reparaturfall über ein Pulsarmband mit Widerstand verbunden sind mit dem gleichen Potential wie die Masse des Gerätes.

Bauteile und Hilfsmittel auch auf dieses gleiche Potential halten.

NL WAARSCHUWING

Alle IC's en vele andere halfgeleiders zijn gevoelig voor electrostatistische ontladingen (ESD).

Onzorgvuldig behandelen tijdens reparatie kan de levensduur drastisch doen verminderen.

Zorg ervoor dat u tijdens reparatie via een polsband met weerstand verbonden bent met hetzelfde potentiaal als de massa van het apparaat.

Houd componenten en hulpmiddelen ook op ditzelfde potentiaal.

I AVVERTIMENTO

Tutti IC e parecchi semi-conduttori sono sensibili alle scariche statiche (ESD).

La loro longevità potrebbe essere fortemente ridatta in caso di non osservazione della più grande cauzione alla loro manipolazione.

Durante le riparazioni occorre quindi essere collegato allo stesso potenziale che quello della massa dell'apparecchio tramite un braccialetto a resistenza.

Assicurarsi che i componenti e anche gli utensili con quali si lavora siano anche a questo potenziale.

GB

Safety regulations require that the set be restored to its original condition and that parts which are identical with those specified, be used.

NL

Veiligheidsbepalingen vereisen, dat het apparaat bij reparatie in zijn oorspronkelijke toestand wordt teruggebracht en dat onderdelen, identiek aan de gespecificeerde, worden toegepast.

F

Les normes de sécurité exigent que l'appareil soit remis à l'état d'origine et que soient utilisés les pièces de rechange identiques à celles spécifiées.

D

Bei jeder Reparatur sind die geltenden Sicherheitsvorschriften zu beachten. Der Originalzustand des Geräts darf nicht verändert werden; für Reparaturen sind Original-Ersatzteile zu verwenden.

I

Le norme di sicurezza esigono che l'apparecchio venga rimesso nelle condizioni originali e che siano utilizzati i pezzi di ricambio identici a quelli specificati.

"After servicing and before returning set to customer perform a leakage current measurement test from all exposed metal parts to earth ground to assure no shock hazard exist. The leakage current must not exceed 0.5mA."

"Pour votre sécurité, ces documents doivent être utilisés par des spécia- listes agréés, seuls habilités à réparer votre appareil en panne".

DISASSEMBLY INSTRUCTIONS

Dismantling the Grille Frame Assembly

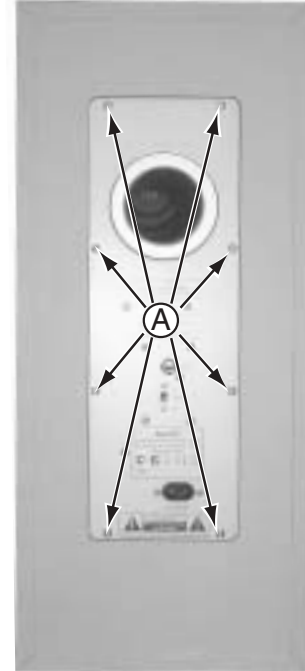
1. Place the Subwoofer Box as shown in the Picture 1 and pull to force open the Grille Frame Assembly.
Caution: Take care the surface when take out the Grille Frame Assembly of Subwoofer.



Picture 1

Dismantling the Rear assembly

1. Loosen 8 screws A as shown in the Picture 2 (Rear View) to pull out the Printed Circuit Board assembly.
Caution: Do not break the bundle of wires to the front.



Picture 2

Dismantling the Front Assembly

1. Place the Subwoofer Box as shown in the Picture 3 and use a screw driver to force open the front assembly.

Caution: Do not break the bundle of wires to the front. Take care the surface when take out the front panel of subwoofer



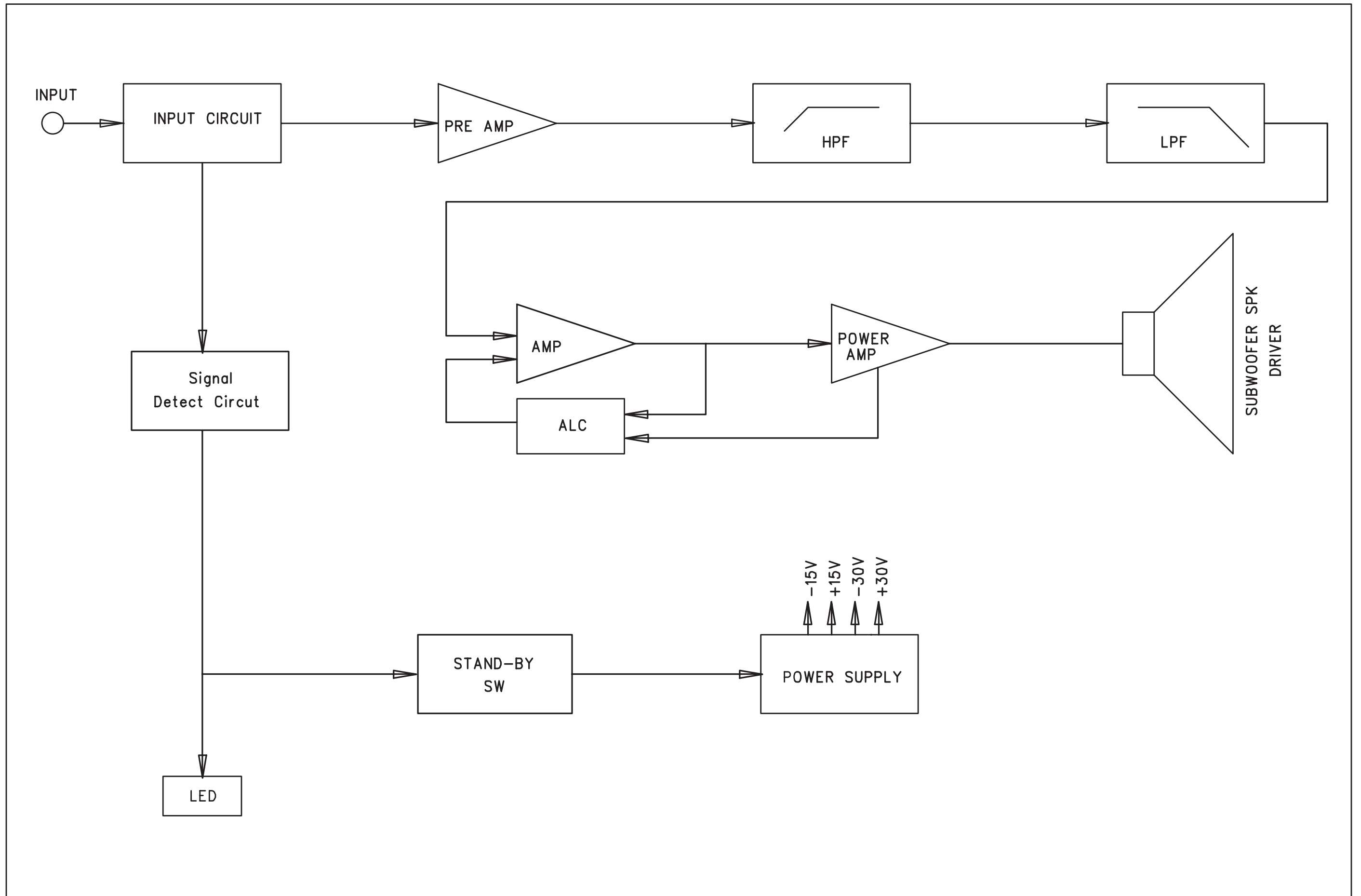
WARNING: THERE IS ONLY A LED BETWEEN THE FRONT PANEL AND WOOD BOX. IF NOT NECESSARY, PLEASE DO NOT TRY TO OPEN THE FRONT PANEL!!!

Picture 3

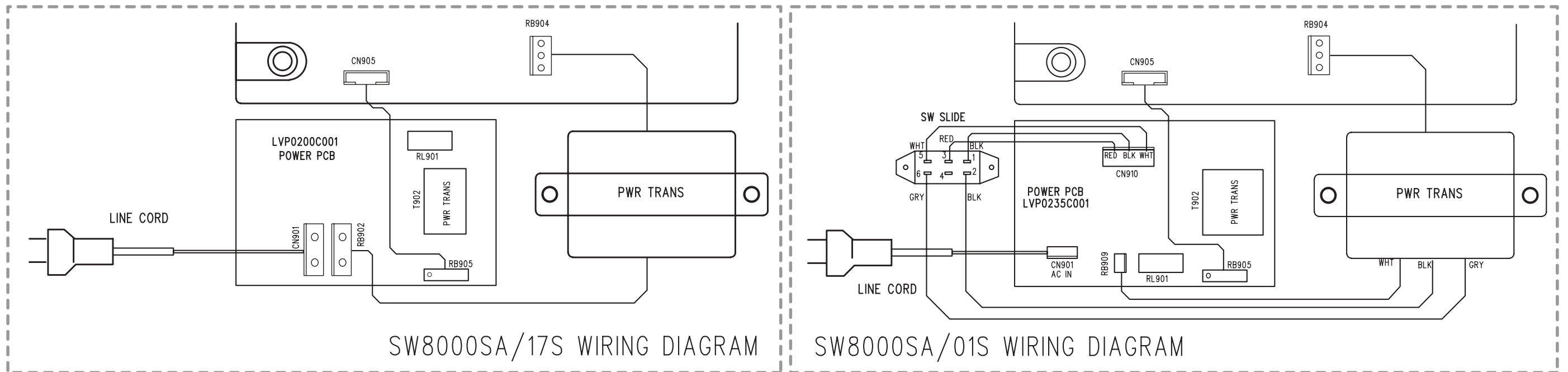
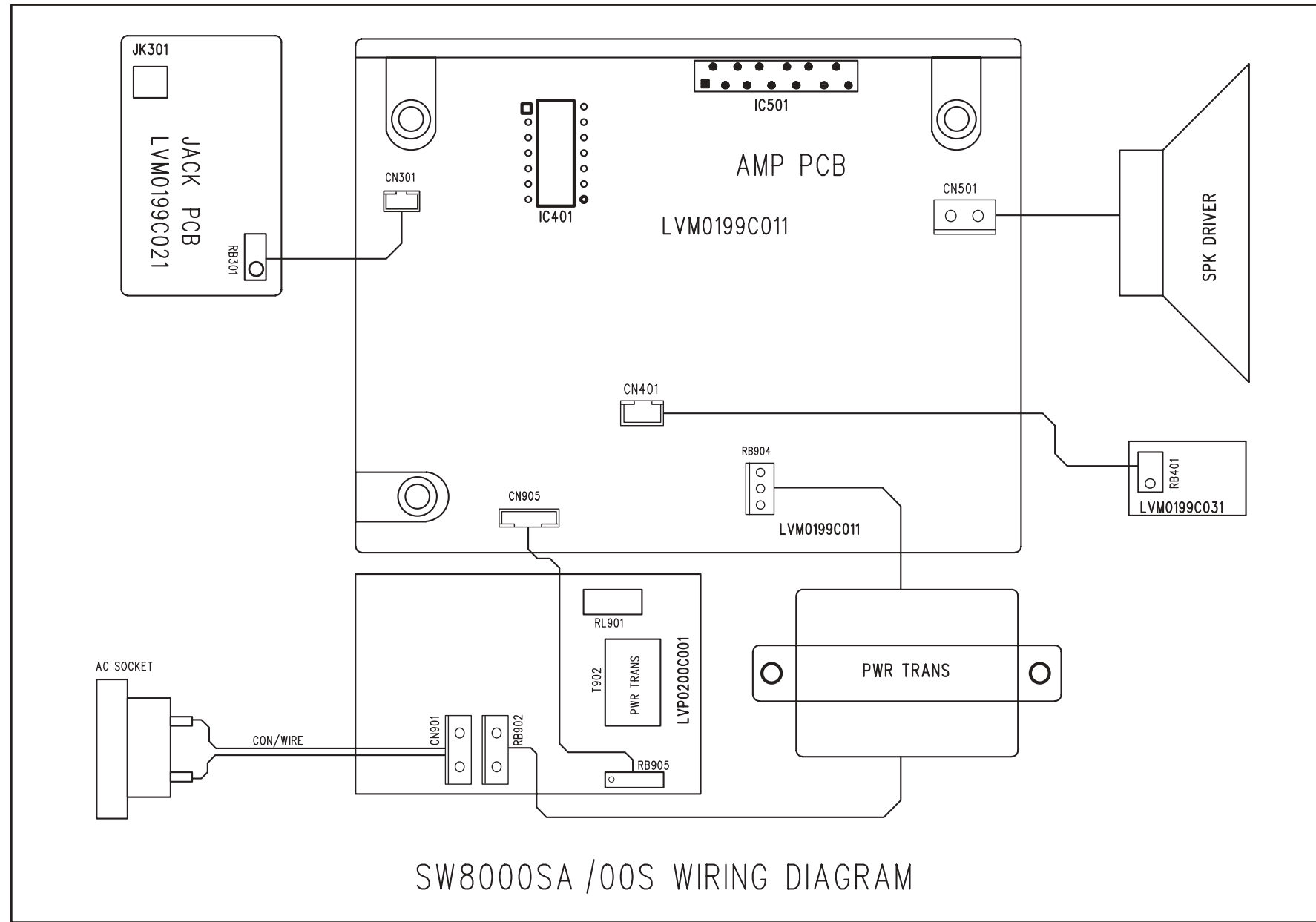
SERVICE POSITION



BLOCK DIAGRAM



WIRING DIAGRAM

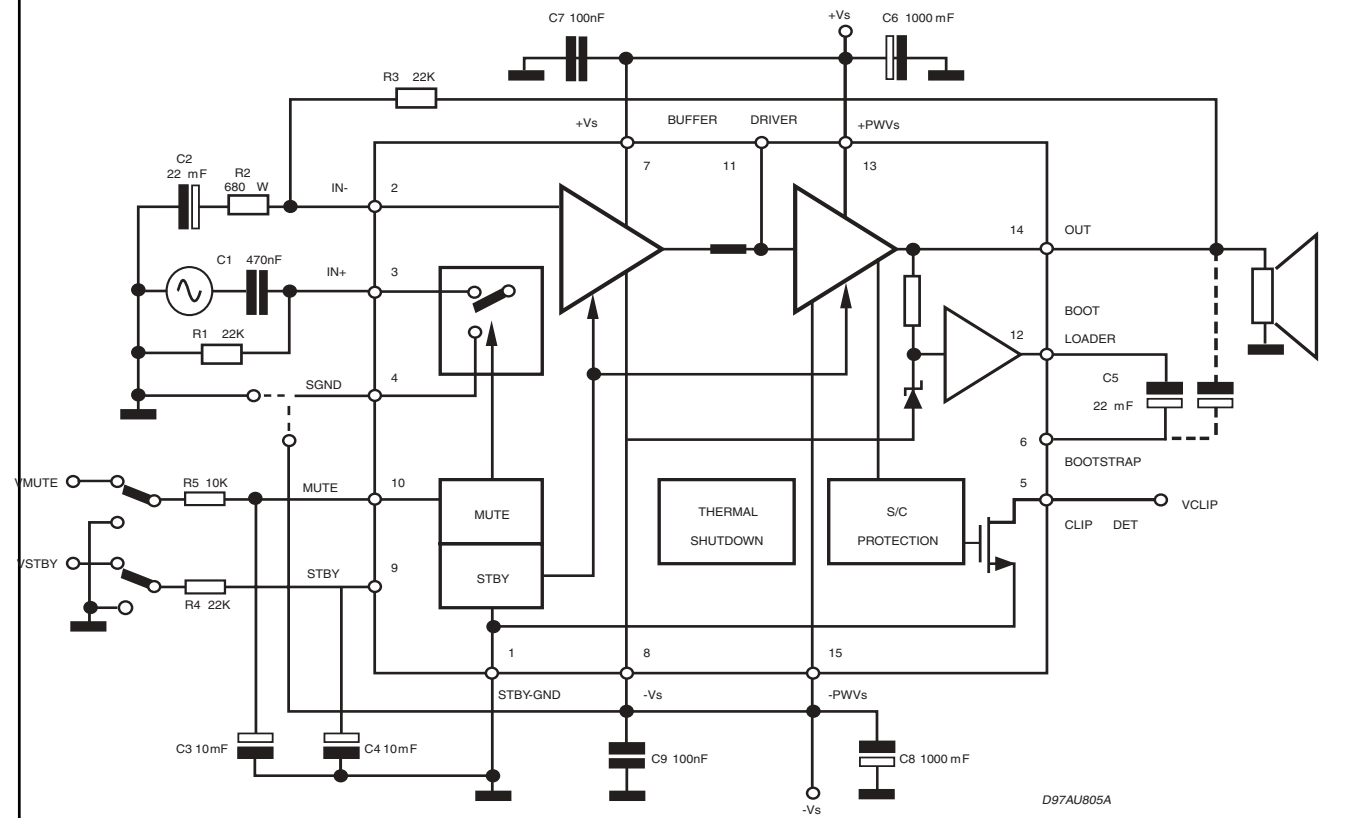


AMPLIFIER / JACK / LED BOARD

TABLE OF CONTENTS

Internal IC Diagram & Voltages..... 4-1
 Circuit Diagram 4-2
 PCB Layout View 4-3
 Electrical Part list 4-4

TDA7293 INTERNAL DIAGRAM



VOLTAGES

IC501 (TDA7293)

PIN NO.	1	2	3	4	5	6	7	8	9	10	11	12	13	14	15
VOLTAGE	0V	0V	0V	0V	0.3V	13.8V	29.7V	-29.7V	15.5V	13.2V	0.6V	0V	29.7V	0V	-29.6V

IC401 (LM324N)

PIN NO.	1	2	3	4	5	6	7	8	9	10	11	12	13	14
VOLTAGE	0V	0V	0V	15.1V	0.4V	3V	-15.2V	0V	0V	0V	-14.9V	0V	0V	0V

IC301 (4558D)

PIN NO.	1	2	3	4	5	6	7	8
VOLTAGE	1.4V	4.9V	1V	0V	4.4V	4.9V	3.9V	8.8V

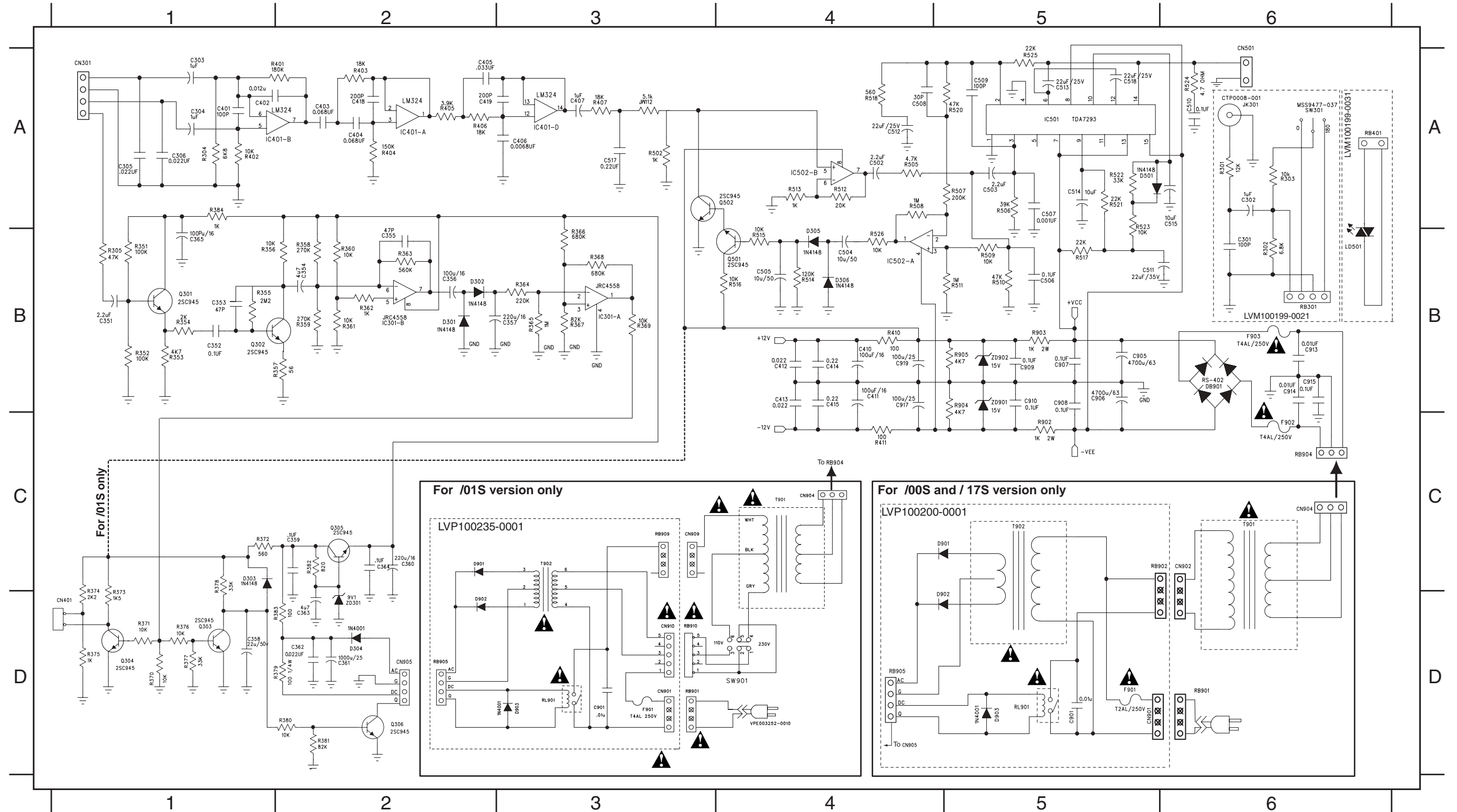
IC502 (4558D)

PIN NO.	1	2	3	4	5	6	7	8
VOLTAGE	0V	0V	0V	-15V	0V	0V	0V	15.2V

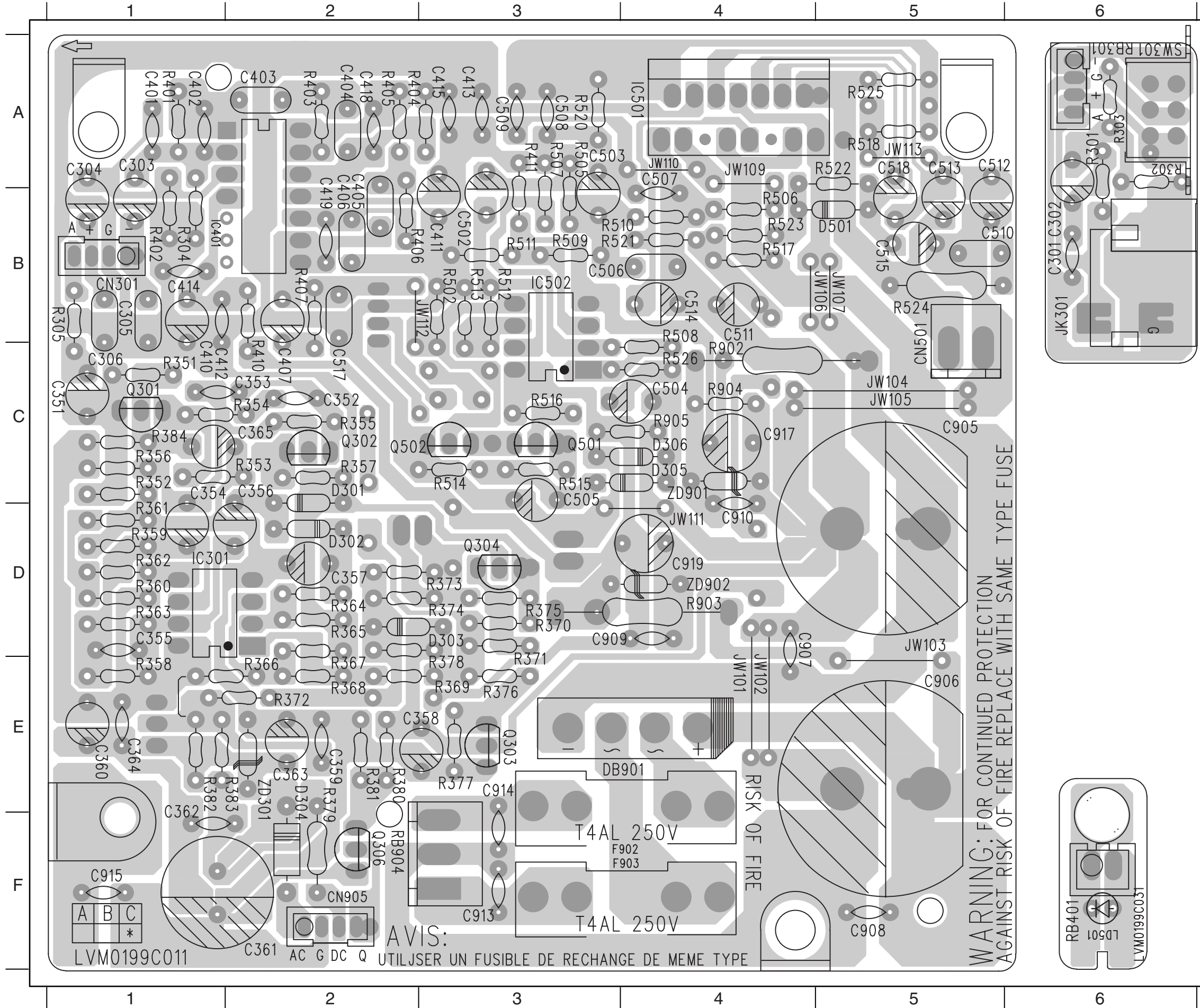
Location	Pin	B	C	E
Q301		0V	0V	0V
Q302		0V	0V	0V
Q303		0V	0V	0V
Q304		0.6V	0.7V	0V
Q305		0V	0V	0V
Q306		0V	0.4V	0V
Q501		0V	15.3V	0V
Q502		0V	0V	0V
Q506		0V	0V	0V

CIRCUIT DIAGRAM

C301 B6	C356 B2	C402 A1	C415 B4	C510 A6	C906 B5	CN401 D1	D302 B2	D903 D5	IC501 A5	Q306 D2	R354 B1	R365 B3	R376 D1	R403 A2	R508 A4	R520 A5	RB301 B6	RL901 D5
C302 A6	C357 B3	C403 A2	C418 A2	C511 B5	C907 B5	CN501 A6	D303 C1	DB901 B6	IC502-A B4	Q501 B4	R355 B1	R366 B3	R377 D1	R404 A2	R509 B5	R521 A5	RB401 A6	SW301 A6
C303 A1	C358 D1	C404 A2	C419 A2	C512 A4	C908 B5	CN901 D3	D304 D2	F901 D3	IC502-B A4	Q502 A4	R356 B2	R367 B3	R378 C1	R405 A2	R510 B5	R522 A5	RB901 D3	ZD301 D2
C304 A1	C359 C2	C405 A2	C502 A4	C513 A5	C909 B5	CN902 C6	D305 B4	F902 D5	JW112 A3	R301 A6	R357 B2	R368 B3	R379 D2	R406 A2	R511 B5	R523 A5	RB901 D6	ZD901 B5
C305 A1	C360 C2	C406 A3	C503 A5	C514 A5	C910 B5	CN902 C6	D306 B4	F902 C6	JK301 A6	R302 B6	R358 B2	R369 B3	R380 D2	R407 A3	R512 A4	R524 A6	RB902 C6	ZD902 B5
C306 A1	C361 D2	C407 A3	C504 B4	C515 A6	C913 B6	CN904 C4	D501 A5	F903 B6	LD501 B6	R303 A6	R359 B2	R370 D1	R381 D2	R410 B4	R513 A4	R525 A5	RB904 C6	T901 C6
C351 B1	C362 D2	C410 B4	C505 B4	C517 A3	C914 B6	CN904 C6	D901 C2	IC301-A B3	Q301 B1	R304 A1	R360 B2	R371 D1	R382 C2	R411 C4	R514 B4	R526 B4	RB905 D2	T902 C5
C352 B1	C363 D2	C411 B4	C506 B5	C518 A5	C915 B6	CN905 D2	D901 C5	IC301-B B2	Q302 B1	R305 B1	R361 B2	R372 C1	R383 D2	R502 A3	R515 B4	R902 C5	RB905 D4	T901 C4
C353 B1	C364 C2	C412 B4	C507 A5	C901 D3	C917 B4	CN909 C3	D902 D2	IC401-A A2	Q303 D1	R351 B1	R362 B2	R373 D1	R384 A1	R505 A4	R516 B4	R903 B5	RB909 C3	T902 C3
C354 B2	C365 B1	C413 B4	C508 A4	C901 D5	C919 B4	CN910 D3	D902 D5	IC401-B A2	Q304 D1	R352 B1	R363 B2	R374 D1	R401 A2	R506 A5	R517 B5	R904 B5	RB910 D3	SW901 D4
C355 B2	C401 A1	C414 B4	C509 A5	C905 B5	CN301 A1	D301 B2	D903 D3	IC401-D A3	Q305 C2	R353 B1	R364 B3	R375 D1	R402 A1	R507 A5	R518 A4	R905 B5	RL901 D3	



PCB LAYOUT VIEW



C301	B6	C917	C4	R366	E2
C302	B6	C919	D4	R367	E2
C303	A1	CN301	B1	R368	E2
C304	A1	CN401	D2	R369	E3
C305	B1	CN501	B5	R370	D3
C306	C1	CN905	F2	R371	D3
C351	C1	D301	C2	R372	E2
C352	C2	D302	D2	R373	D3
C353	C2	D303	D3	R374	D3
C354	C1	D304	E2	R375	D3
C355	D1	D305	C4	R376	E3
C356	C2	D306	C4	R377	E3
C357	D2	D501	B5	R378	E3
C358	E2	DB901	E3	R379	E2
C359	E2	F902	F4	R380	E2
C360	E1	F903	F4	R381	E2
C361	F2	IC301	D1	R382	E1
C362	F1	IC401	B1	R383	E2
C363	E2	IC501	A4	R384	C1
C364	E1	IC502	B3	R401	A1
C365	C2	JK301	B6	R402	B1
C401	A1	JW101	E4	R403	A2
C402	A1	JW102	E4	R404	A2
C403	A2	JW103	D5	R405	A2
C404	A2	JW104	C5	R406	B2
C405	B2	JW105	C5	R410	C2
C406	B2	JW106	B5	R411	A3
C407	C2	JW107	B5	R502	B3
C410	C1	JW109	A4	R505	A3
C411	B3	JW110	A4	R506	B4
C412	C1	JW111	D4	R507	A3
C413	A3	JW112	B3	R508	B4
C414	B1	JW113	A5	R509	B3
C415	A3	LD501	F6	R510	B3
C418	A2	Q301	C1	R511	B3
C419	B2	Q302	C2	R512	B3
C502	B3	Q303	E3	R513	B3
C503	A3	Q304	D3	R514	C3
C504	C4	Q306	F2	R515	C3
C505	C3	Q501	C3	R516	C3
C506	B3	Q502	C2	R517	B4
C507	A4	R301	A6	R518	A5
C508	A3	R302	A6	R520	A3
C509	A3	R303	A6	R521	B3
C510	B5	R304	B1	R522	A5
C511	B4	R305	B1	R523	B4
C512	A5	R351	C1	R524	B5
C513	A5	R352	C1	R525	A5
C514	B4	R353	C2	R526	C4
C515	B5	R354	C2	R902	C4
C517	C2	R355	C2	R903	D4
C518	A5	R356	C1	R904	C4
C905	C5	R357	C2	R905	C4
C906	E5	R358	E1	RB301	A6
C907	D4	R359	D1	RB401	F6
C908	F5	R360	D1	RB904	F2
C909	D3	R361	D1	SW301	A6
C910	D4	R362	D1	ZD301	E2
C913	F3	R363	D1	ZD901	C4
C914	E3	R364	D2	ZD902	D4
C915	F1	R365	D2		

ELECTRICAL PARTS LIST - AMPLIFIER / JACK / LED BOARD**MISCELLANEOUS**

CN301	9965 000 15859	Connector 4 PIN P=2.0mm
CN401	9965 000 15862	Connector B2B-XH-A 2 PIN
CN501	9965 000 16341	Connector 2 PIN
CN905	9965 000 15859	Connector 4 PIN P=2.0mm
F902	9965 000 16184	△ FUSE T4A 250V SLOW
F902	9965 000 14288	△ FUSE T4A 250V SLOW /17S
F903	9965 000 16184	△ FUSE T4A 250V SLOW
F903	9965 000 14288	△ FUSE T4A 250V SLOW /17S
JK301	4822 267 41238	RCA Jack 1P
SW301	4822 277 11821	Slide Switch

CAPACITORS

C301	4822 122 33293	100pF 5% 50V
C302	9965 000 16316	1uF 50V 20%
C303	9965 000 16316	1uF 50V 20%
C304	9965 000 16316	1uF 50V 20%
C305	9965 000 08286	0,022uF 100V 5%
C306	9965 000 08286	0,022uF 100V 5%
C351	9965 000 16318	2,2uF 50V 20%
C352	2038 554 00065	100nF +80/-20% 50V
C353	9965 000 12614	47pF 50V 5%
C354	9965 000 16319	4,7uF 50V 20%
C355	9965 000 12614	47pF 50V 5%
C356	9965 000 16317	100uF 16V 20%
C357	9965 000 16320	220uF 16V 20%
C358	9965 000 16353	22uF 50V 20%
C359	2038 554 00065	100nF +80/-20% 50V
C360	9965 000 16320	220uF 16V 20%
C361	9965 000 16354	1000uF 25V 20%
C362	4822 122 30103	22nF 80% 63V
C363	9965 000 16319	4,7uF 50V 20%
C364	2038 554 00065	100nF +80/-20% 50V
C365	9965 000 16317	100uF 16V 20%
C401	4822 122 33293	100pF 5% 50V
C402	4822 121 41935	12nF 5% 250V
C403	5322 121 42662	68nF 5% 250V
C404	5322 121 42662	68nF 5% 250V
C405	5322 121 42489	33nF 5% 250V
C406	4822 121 42077	6,8nF 10% 400V
C407	9965 000 16316	1uF 50V 20%
C410	9965 000 16317	100uF 16V 20%
C411	9965 000 16317	100uF 16V 20%
C412	4822 122 30103	22nF +80/-20% 63V
C413	4822 122 30103	22nF +80/-20% 63V
C414	9965 000 12613	0,22uF 50V +80/-20%
C415	9965 000 12613	0,22uF 50V +80/-20%
C418	9965 000 16355	200pF 50V 10%
C419	9965 000 16355	200pF 50V 10%
C502	9965 000 16318	2,2uF 50V 20%
C503	9965 000 16318	2,2uF 50V 20%
C504	9965 000 16356	10uF 50V 20%
C505	9965 000 16356	10uF 50V 20%

C506	5322 121 42578	100nF 5% 250V
C507	9965 000 16357	0,001uF 100V 5%
C508	9965 000 16358	30pF 50V 5%
C509	4822 122 33293	100pF 5% 50V
C510	5322 121 42578	100nF 5% 250V
C511	9965 000 16359	22uF 35V 20%
C512	9965 000 16324	22uF 25V 20%
C513	9965 000 16324	22uF 25V 20%
C514	9965 000 16356	10uF 50V 20%
C515	9965 000 16356	10uF 50V 20%
C517	9965 000 16360	0,22uF 100V 5%
C518	9965 000 16324	22uF 25V 20%
C905	9965 000 16361	4700uF 63V 20%
C906	9965 000 16361	4700uF 63V 20%
C907	2038 554 00065	100nF +80/-20% 50V
C908	2038 554 00065	100nF +80/-20% 50V
C909	2038 554 00065	100nF +80/-20% 50V
C910	2038 554 00065	100nF +80/-20% 50V
C913	9965 000 11041	0,01uF 500V 20%
C914	9965 000 11041	0,01uF 500V 20%
C915	2038 554 00065	100nF +80/-20% 50V
C917	9965 000 16327	100uF 25V 20%
C919	9965 000 16327	100uF 25V 20%

RESISTORS

JW112	9965 000 16362	5,1k 1/6W 5%
R301	9965 000 12516	12k 1/6W 5%
R302	9965 000 12520	6,8k 1/6W 5%
R303	4822 050 21003	10k 1% 0,6W
R304	9965 000 12520	6,8k 1/6W 5%
R305	4822 050 24703	47k 1% 0,6W
R351	4822 050 21004	100k 1% 0,6W
R352	4822 050 21004	100k 1% 0,6W
R353	9965 000 09725	4,7k 1/6W 5%
R354	9965 000 12621	2k 1/6W 5%
R355	9965 000 12622	2,2M 1/6W 5%
R356	4822 050 21003	10k 1% 0,6W
R357	9965 000 14306	56R 1/6W 5%
R358	9965 000 12624	270k 1/6W 5%
R359	9965 000 12624	270k 1/6W 5%
R360	4822 050 21003	10k 1% 0,6W
R361	4822 050 21003	10k 1% 0,6W
R362	9965 000 12519	1k 1/6W 5%
R363	9965 000 12625	560k 1/6W 5%
R364	9965 000 08284	220k 1/6W 5%
R365	9965 000 12626	1M 1/6W 5%
R366	9965 000 12627	680k 1/6W 5%
R367	9965 000 12628	82k 1/6W 5%
R368	9965 000 12627	680k 1/6W 5%
R369	4822 050 21003	10k 1% 0,6W
R370	4822 050 21003	10k 1% 0,6W
R371	4822 050 21003	10k 1% 0,6W

ELECTRICAL PARTS LIST - AMPLIFIER / JACK / LED BOARD

R372	4822 050 25601	560R 1% 0,6W
R373	4822 050 21502	1k5 1% 0,6W
R374	9965 000 12515	2,2k 1/6W 5%
R375	9965 000 12519	1k 1/6W 5%
R376	4822 050 21003	10k 1% 0,6W
R377	4822 050 23303	33k 1% 0,6W
R378	4822 050 23303	33k 1% 0,6W
R379	9965 000 16363	100R 1/4W 5%
R380	4822 050 21003	10k 1% 0,6W
R381	9965 000 12628	82k 1/6W 5%
R382	9965 000 09729	820R 1/6W 5%
R383	4822 050 21001	100R 1% 0,6W
R384	9965 000 12519	1k 1/6W 5%
R401	9965 000 12631	180k 1/6W 5%
R402	4822 050 21003	10k 1% 0,6W
R403	9965 000 08285	18k 1/6W 5%
R404	4822 050 21504	150k 1% 0,6W
R405	9965 000 09724	3,9k 1/6W 5%
R406	9965 000 08285	18k 1/6W 5%
R407	9965 000 08285	18k 1/6W 5%
R410	4822 050 21001	100R 1% 0,6W
R411	4822 050 21001	100R 1% 0,6W
R502	9965 000 12519	1k 1/6W 5%
R505	9965 000 09725	4,7k 1/6W 5%
R506	9965 000 14307	39k 1/6W 5%
R507	9965 000 12561	200k 1/6W 5%
R508	9965 000 12626	1M 1/6W 5%
R509	4822 050 21003	10k 1% 0,6W
R510	4822 050 24703	47k 1% 0,6W
R511	9965 000 12626	1M 1/6W 5%
R512	4822 111 31032	20k 5% 1/6W
R513	9965 000 12519	1k 1/6W 5%
R514	9965 000 16364	120k 1/6W 5%
R515	4822 050 21003	10k 1% 0,6W
R516	4822 050 21003	10k 1% 0,6W
R517	4822 050 22203	22k 1% 0,6W
R518	4822 050 25601	560R 1% 0,6W
R520	4822 050 24703	47k 1% 0,6W
R521	4822 050 22203	22k 1% 0,6W
R522	4822 050 23303	33k 1% 0,6W
R523	4822 050 21003	10k 1% 0,6W
R524	4822 116 81753	4R7 5% 0,5W
R525	4822 050 22203	22k 1% 0,6W
R526	4822 050 21003	10k 1% 0,6W
R902	9965 000 15961	1k 2W 5% W/KINK
R903	9965 000 15961	1k 2W 5% W/KINK
R904	9965 000 09725	4,7k 1/6W 5%
R905	9965 000 09725	4,7k 1/6W 5%

DIODES

D301	4822 130 30621	1N4148
D302	4822 130 30621	1N4148

D303	4822 130 30621	1N4148
D304	4822 130 31438	1N4001G /17S
D305	4822 130 30621	1N4148
D306	4822 130 30621	1N4148
D501	4822 130 30621	1N4148
DB901	4822 130 70035	△ RS402L
ZD301	9965 000 12635	ZENER 9,1-9,5V 0,5W
ZD901	4822 130 34281	BZX79-B15
ZD902	4822 130 34281	BZX79-B15
LD501	9965 000 14305	LED 3 DIA Green/Orange 2P

INTEGRATED CIRCUITS

IC301	4822 209 83631	JRC4558D
IC401	4822 209 80587	LM324N
IC501	9965 000 15962	TDA7293
IC502	4822 209 83631	JRC4558D

TRANSISTORS

Q301	4822 130 41198	2SC945P
Q302	4822 130 41198	2SC945P
Q303	4822 130 41198	2SC945P
Q304	4822 130 41198	2SC945P
Q305	4822 130 41198	2SC945P
Q306	4822 130 41198	2SC945P
Q501	4822 130 41198	2SC945P
Q502	4822 130 41198	2SC945P

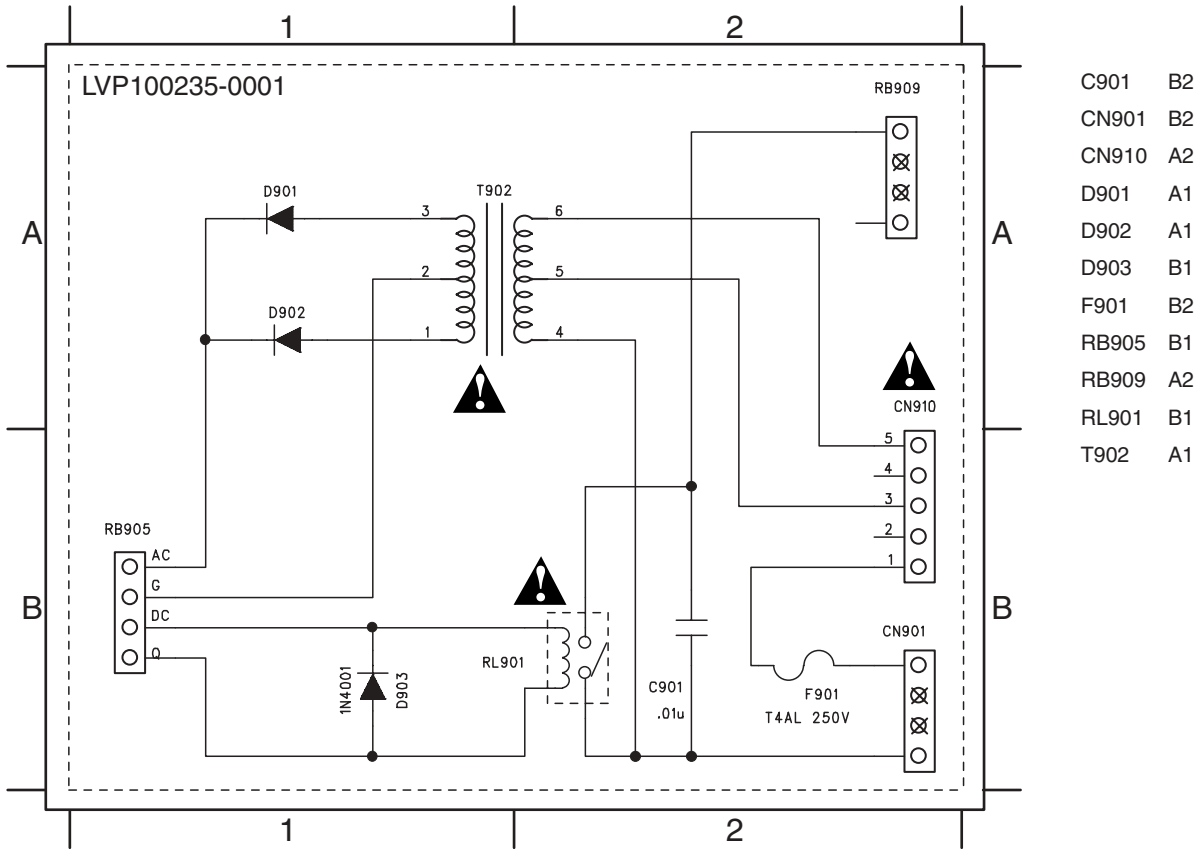
Note : Only the parts mentioned in this list are normal service spare parts.

POWER BOARD

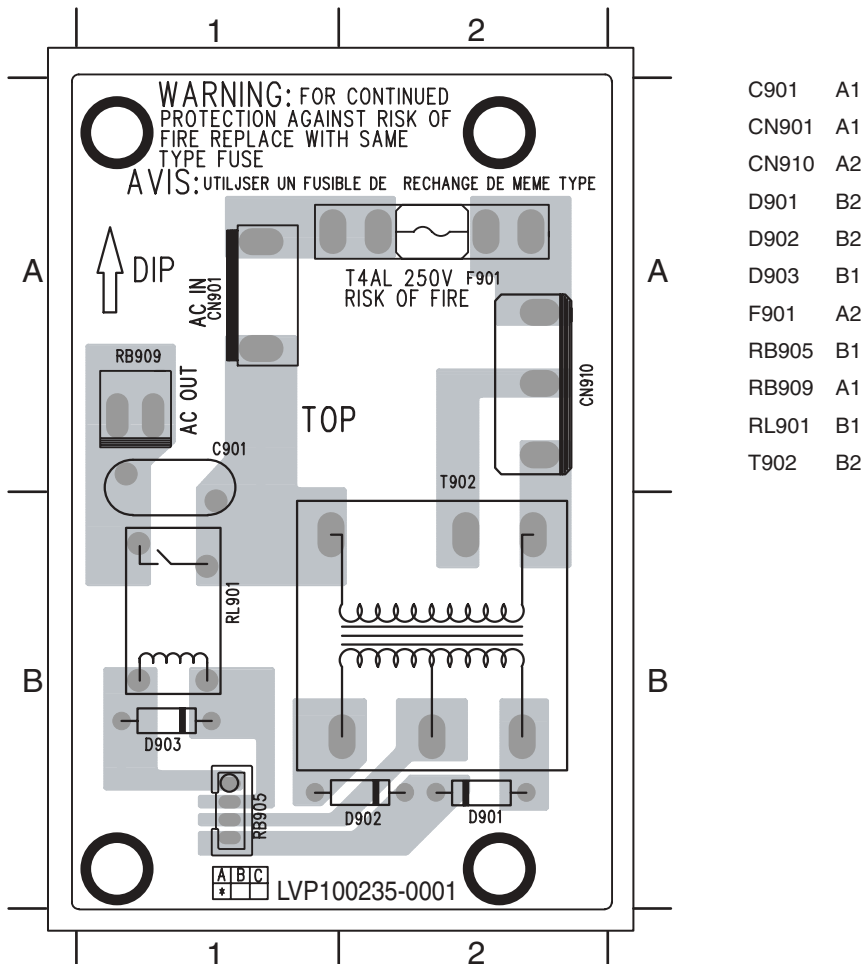
TABLE OF CONTENTS

Power PCB schematic and Layout View (/01S)	5-2
Power PCB schematic and Layout View (/00S/17S)	5-3
Electrical Parts List	5-4

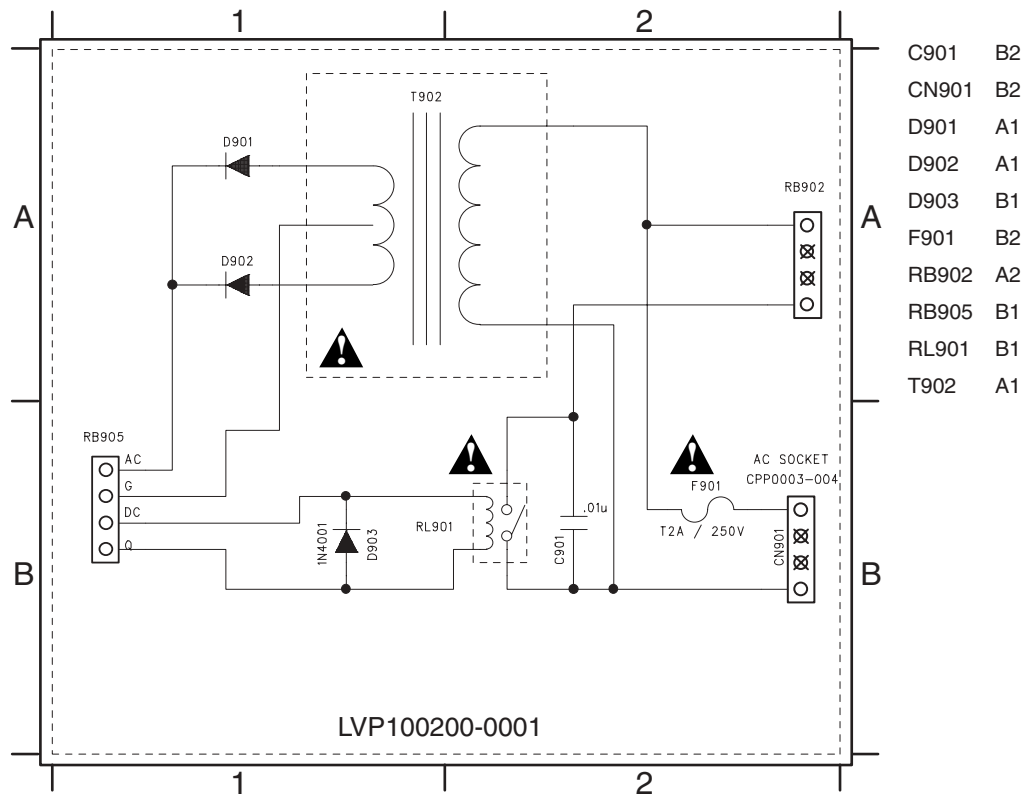
POWER SCHEMATIC DIAGRAM (For /01S only)



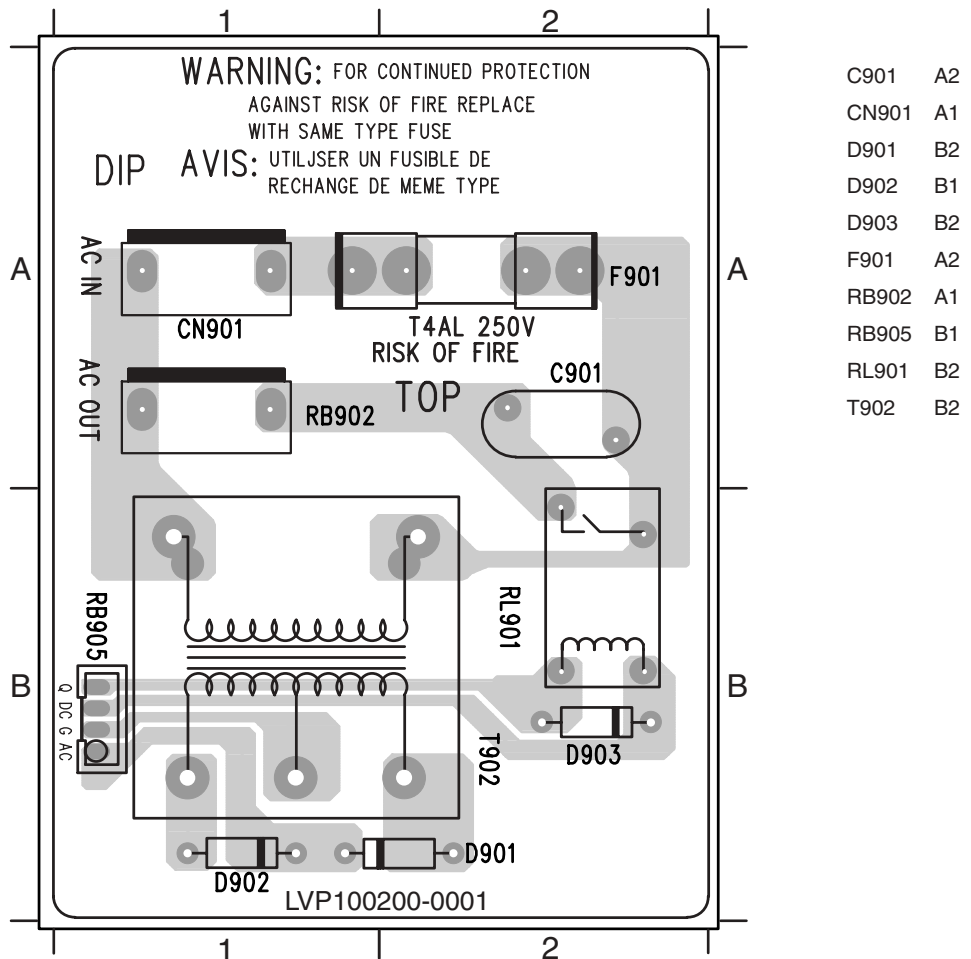
POWER PCB LAYOUT VIEW (For /01S only)



POWER SCHEMATIC DIAGRAM (For /00S and /17S only)



POWER PCB LAYOUT VIEW (For /00S and /17S only)



ELECTRICAL PARTS LIST - POWER BOARD

MISCELLANEOUS

CN901	9965 000 15936	△ Connector 4 PIN P=3.96mm	
CN910	9965 000 16340	△ Connector 5 PIN P=3.96mm	/01S
F901	9965 000 16330	△ FUSE 2A 250V SLOW	/00S
F901	9965 000 16184	△ FUSE T4A 250V SLOW	/01S
F901	9965 000 14288	△ FUSE T4A 250V SLOW	/17S
RL901	9965 000 15937	△ Relay GJ-SH-112DM	
T902	9965 000 15975	△ TRANS 230V 50Hz EI28 AXIAL	/00S
T902	9965 000 16342	△ TRANS 115/230V EI28 AXIAL	/01S
T902	9965 000 12602	△ TRANS 120V 60Hz EI28 AXIAL	/17S

CAPACITORS

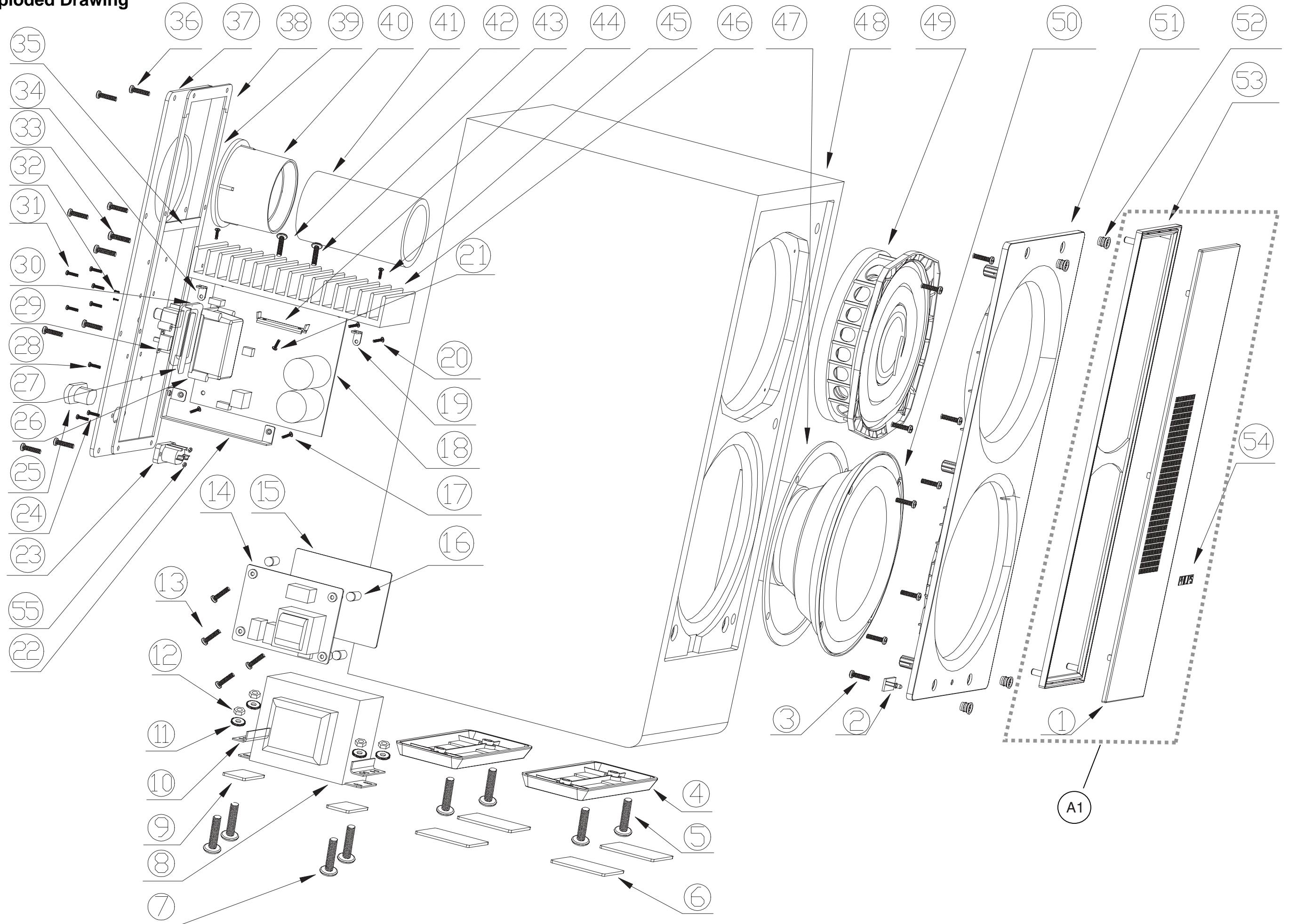
C901	9965 000 15941	△ 0,01uF 250V 20%	
------	----------------	-------------------	--

DIODES

D901	4822 130 31438	△ 1N4001G	
D902	4822 130 31438	△ 1N4001G	
D903	4822 130 31438	△ 1N4001G	

Note : Only the parts mentioned in this list are normal service spare parts.

Exploded Drawing



MECHANICAL & ACCESSORIES PARTS LIST

A1	9965 000 16346	Grille Frame Assembly
6	9965 000 16347	Rubber Foot
8	9965 000 16348	△ PWR TRANS 230V/50Hz 100W /00S
8	9965 000 16365	△ PWR TRANS 115/230V 60/50Hz /01S
8	9965 000 15947	△ PWR TRANS 120V/60Hz 100W /17S
23	9965 000 12443	△ AC Socket /00S/01S
25	9965 000 07092	△ Bushing /17S
47	4822 532 13065	Speaker Sponge
49	9965 000 16349	Woox Speaker
50	9965 000 16350	Speaker Driver 100W 6,5" 4 OHM
51	9965 000 16351	Front Cabinet
52	9965 000 16352	Rubber Insert
	9965 000 15983	△ Mains Cord /00S/01S
	9965 000 15928	△ Mains Cord /17S
	9965 000 16339	△ SW SLIDE 6 PIN SL14-22AH /01S
	9965 000 16314	RCA Cable 3000mm

Note : Only the parts mentioned in this list are normal service spare parts.

SCREW LISTS

3	D3 x 8
5	D3.5 x 16
7	M4 x 25
13	D3 x 22
17	D3 x 8
20	M3 x 8
21	D3 x 10
24	M3 x 12 /00S/01S
28	D3 x 8
31	D3 x 10
32	M2 x 6
33	D3 x 20
36	D3.5 x 16
42	D3 x 14
43	M3 x 18
45	M3 x 10